

# Technical Data

## Sound (STC) Assemblies

# Tech 403

## NGP Seal Set #N2

**ASTM E90-2009** Standard Test Method for Laboratory Measurement of Airborne Sound Transmission Loss of Building Partitions

**Standards**

**ASTM E413-2010** Classification for Rating Sound Insulation

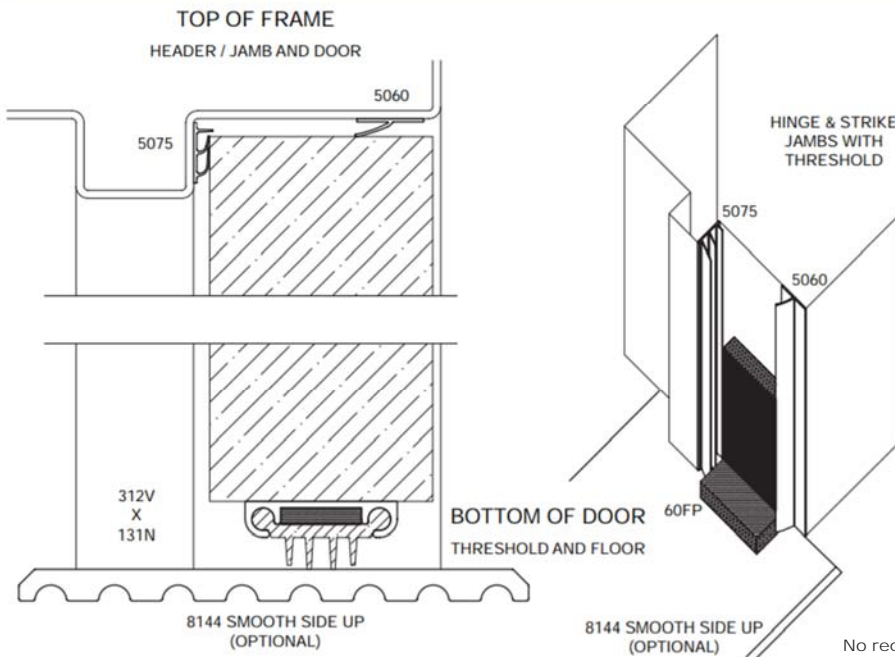
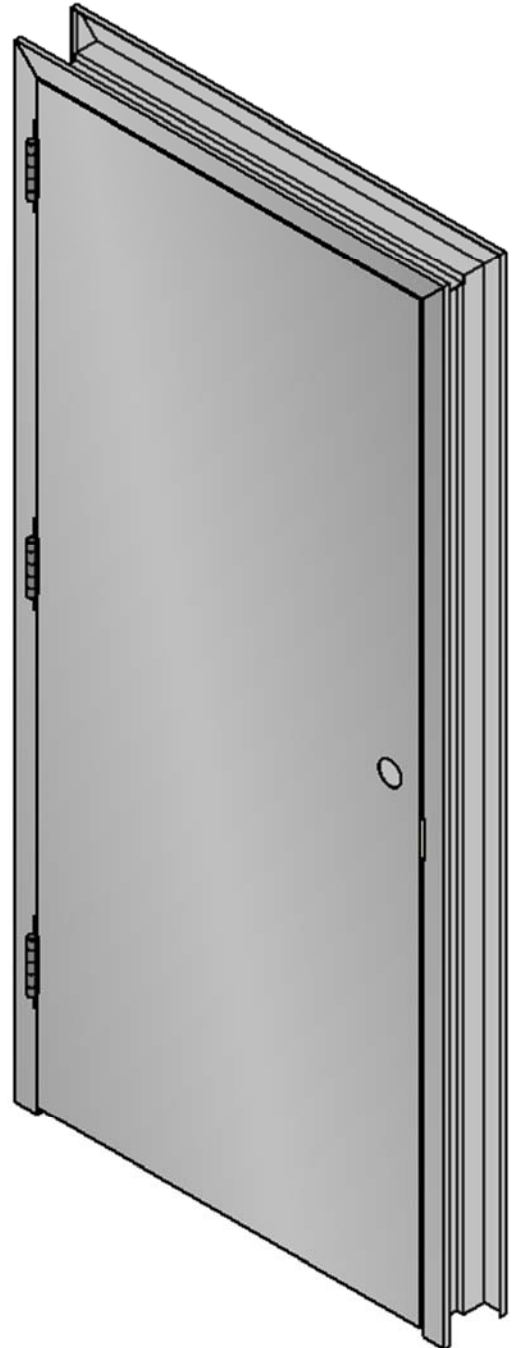
**ASTM E1332-10a** Standard Classification for Rating Outdoor-Indoor Sound Attenuation

**Seal Package**

**NGP #5075** Thermo-Plastic Elastomer Gasketing (header and jambs)  
**NGP #5060** Silicone Fin Seal (header and jambs)  
**NGP #312V X 131N** Acoustical Door Shoe (bottom of door)  
**NGP #60FP** Acoustical Foam Corner Pad (bottom corner of frame/floor)  
**NGP #8144S** Threshold (Optional) (floor)

\*NPG = National Guard Products, Inc.

STC 26	18 Gauge (0.042 min) Polystyrene Core Door 4'-0" x 8'-0" Tested Size	 
STC 29	16 Gauge (0.053 min) Polystyrene Core Door 4'-0" x 8'-0" Tested Size	 
STC 30	18 Gauge (0.053 min) Polyurethane Core Door 3'-0" x 7'-0" Tested Size	
STC 41	18 Gauge (0.042 min) Steel Stiffened Core Door 3'-0" x 7'-0" Tested Size	 
STC 42	16 Gauge (0.053 min) Steel Stiffened Core Door 4'-0" x 8'-0" Tested Size	 
STC 45	14 Gauge (0.067 min) Steel Stiffened Core Door 4'-0" x 8'-0" Tested Size	 
STC 42	18 Gauge (0.042 min) Temperature Rise Core Door 3'-0" x 7'-0" Tested Size	 
STC 45	16 Gauge (0.053 min) Temperature Rise Core Door 4'-0" x 8'-0" Tested Size	 



No recorded sound loss up to STC 45  
 STC ratings based on testing and evaluations.  
 Testing and data collection by Intertek Testing Services