

Technical Data Series

Tech 403 Sound (STC) Assemblies



The MPI Group, LLC

319 North Hills Road, Corbin, Kentucky 40701

www.metalproductsinc.com

606-523-0461

support@metalproductsinc.com

Technical Data

Sound (STC) Assemblies

Tech 403

NGP Seal Set #N2

Standards

ASTM E90-09 (2016) Standard Test Method for Laboratory Measurement of Airborne Sound Transmission Loss of Building Partitions and Elements

ASTM E413-16 Classification for Rating Sound Insulation

ASTM E1332-16 Standard Classification for Rating Outdoor-Indoor Sound Attenuation

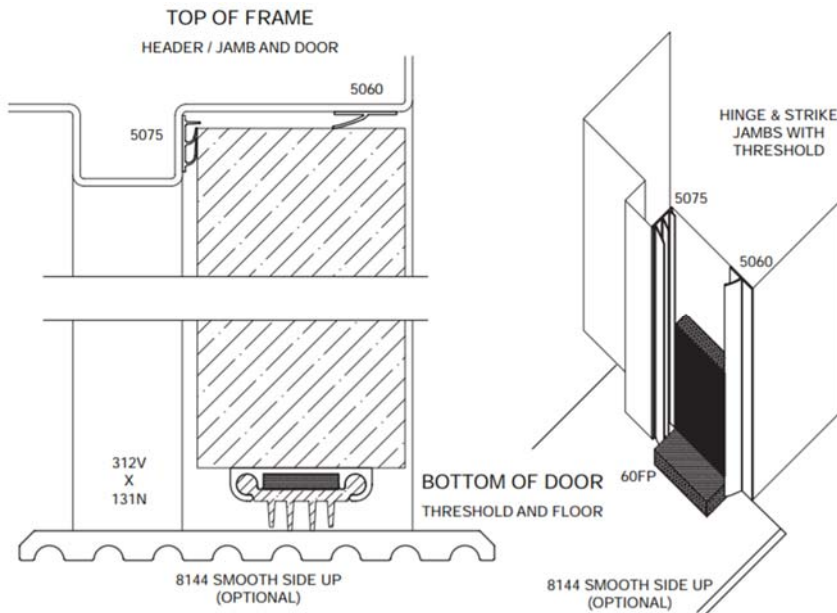
ASTM E2235-04 (2012) Standard Test Method for Determination of Decay Rates for

Seal Package

NGP #5075 Thermo-Plastic Elastomer Gasketing (header and jambs)
NGP #5060 Silicone Fin Seal (header and jambs)
NGP #312V X 131N Acoustical Door Shoe (bottom of door)
NGP #60FP Acoustical Foam Corner Pad (bottom corner of frame/floor)
NGP #8144S Threshold (Optional) (floor)

*NPG = National Guard Products, Inc.

| | | |
|---------------|--|---|
| STC 26 | 18 Gauge (0.042 min) Polystyrene Core Door 4'-0" x 8'-0" Tested Size |   |
| STC 29 | 16 Gauge (0.053 min) Polystyrene Core Door 4'-0" x 8'-0" Tested Size |   |
| STC 30 | 18 Gauge (0.053 min) Polyurethane Core Door 3'-0" x 7'-0" Tested Size |  |
| STC 41 | 18 Gauge (0.042 min) Steel Stiffened Core Door 3'-0" x 7'-0" Tested Size |   |
| STC 42 | 16 Gauge (0.053 min) Steel Stiffened Core Door 4'-0" x 8'-0" Tested Size |   |
| STC 45 | 14 Gauge (0.067 min) Steel Stiffened Core Door 4'-0" x 8'-0" Tested Size |   |
| STC 42 | 18 Gauge (0.042 min) Special Construction Steel Stiffened Core Door 3'-0" x 7'-0" Tested Size |   |
| STC 45 | 16 Gauge (0.053 min) Special Construction Steel Stiffened Core Door 4'-0" x 8'-0" Tested Size |   |



No recorded sound loss up to STC 45
 STC ratings based on testing and evaluations.
 Testing and data collection by Intertek Testing Services